



# JETRUS

JET в России

**HVBS-912L**

## **Metal Band Saw**

**JRM80912M**

**~230V 50Hz**

**JRM80912T**

**3~400V 50Hz**

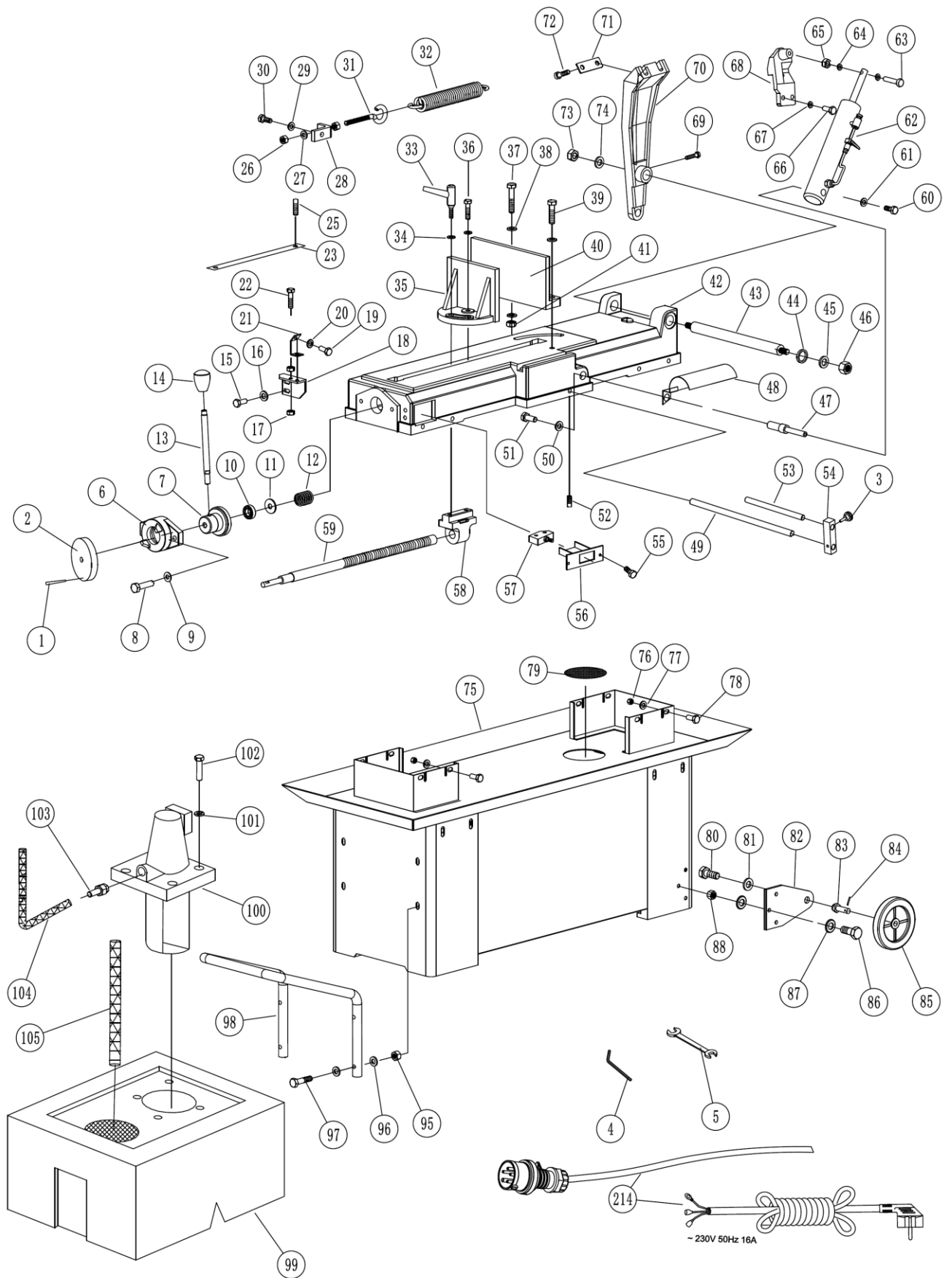
### **PARTS LIST**



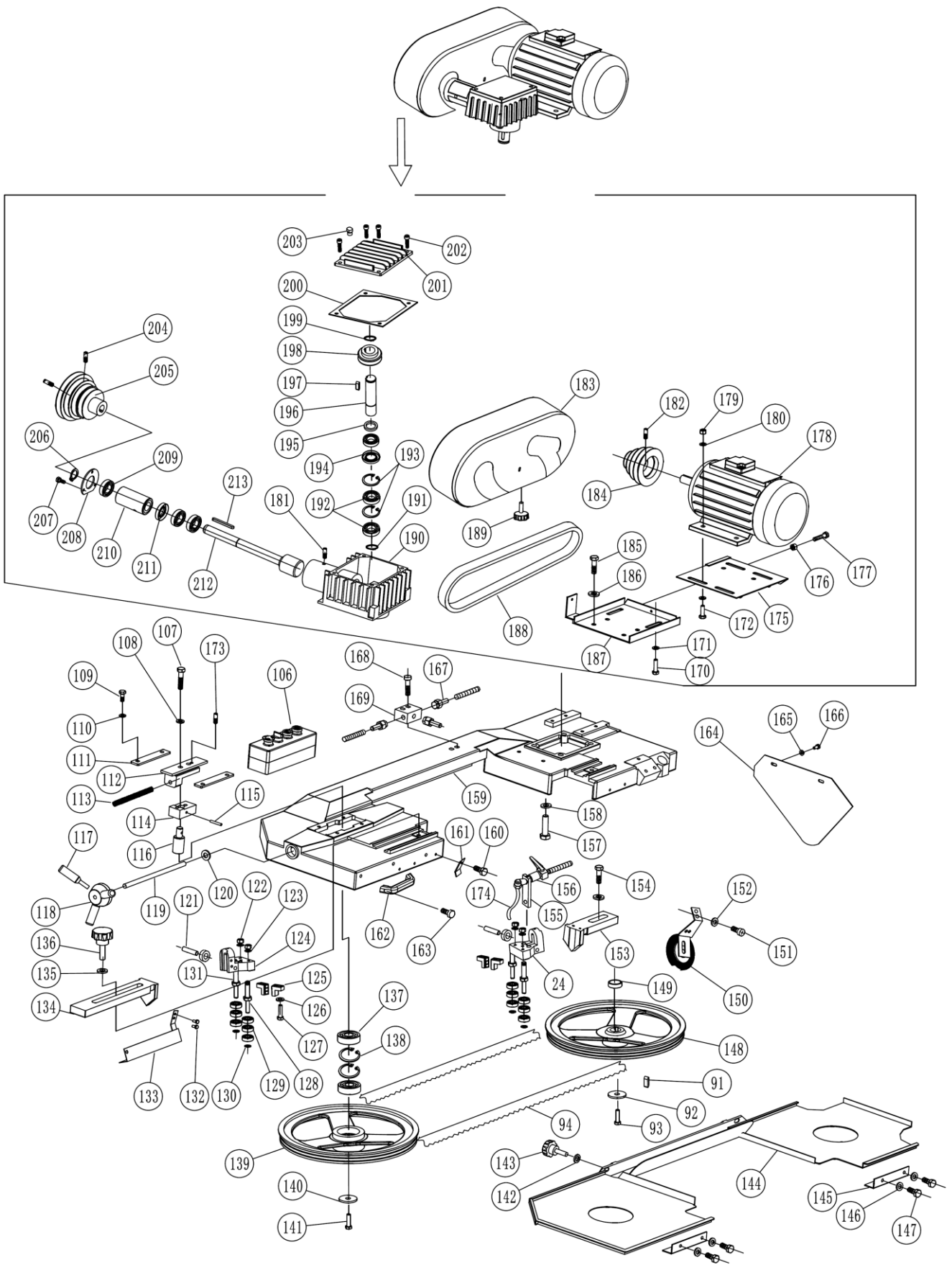
**Импортер в РФ: ООО «ИТА Технолджи»**  
105082, Москва, Переведеновский пер., д. 17  
[www.jettools.ru](http://www.jettools.ru)  
Made in PRC / Сделано в КНР

P- JRM80912M / JRM80912T 2025-08

# Parts Breakdown for HVBS-912L Metal Band Saw-A



# Parts Breakdown for HVBS-912L Metal Band Saw-B



## Parts List for HVBS-912L Metal Band Saw

Index No.	Part No.	Description	Size	Qty
1	HVBS912L-001	Turning Handle M8X63	M8X63	1
2	HVBS912L-002	Hand Wheel $\Phi 125 \times \Phi 15$	$\Phi 125 \times \Phi 15$	1
3	HVBS912L-003	Star Handle M8X16	M8X16	2
4	HVBS912L-004	Wrench 8	8mm	1
5	HVBS912L-005	Wrench 16-18	16-18mm	1
6	HVBS912L-006	Speedly Fixed Block		1
7	HVBS912L-007	Speedly Moving Block		1
8	GB/T5783	Bolt M8X30		2
9	GB/T95	Washer 8		2
10	GB/T301	Thrust Bearing 51101		1
11	HVBS912L-011	Pad		1
12	HVBS912L-012	Spring Pad		1
13	HVBS912L-013	Handle Rod		1
14	HVBS912L-014	Handle Cover M12X60	M12x60	1
15	GB/T5783	Hex. Cap Head Screw	M8x20	2
16	GB/T95	Flat Washer	8mm	2
17	GB/T6170	Hex Nut	M8	2
18	HVBS912L-018	Supporting Plate		1
19	GB/T5783	Hex. Cap Head Screw	M8x20	1
20	GB/T95	Flat Washer	8mm	1
21	HVBS912L-021	Fixed Board	1	1
22	GB/T5783	Hex. Cap Head Screw	M8x20	1
23	HVBS912L-023	Scale		1
24	HVBS912L-024	Front Support		1
25	GB/T867	Rivet 2X5	2x5	2
26	GB/T6170	Hex Nut	M10	2
27	GB/T95	Flat Washer	10mm	1
28	HVBS912L-028	Fixed Board		1
29	GB/T95	Flat Washer	8mm	1
30	GB/T5783	Hex. Cap Head Screw	M8x20	1
31	HVBS912L-031	Rivet		1
32	HVBS912L-032	Tension Spring		1
33	HVBS912L-033	Adjustable Fixed Handle	M10x80	1
34	HVBS912L-034	Pad		1
35	HVBS912L-035	Moving Vise		1
36	GB/T5783	Hex. Cap Head Screw	M10x35	1
37	GB/T5783	Hex. Cap Head Screw	M12x50	1
38	GB/T95	Flat Washer	12mm	2
39	GB/T5783	Hex. Cap Head Screw	M12x35	1
40	HVBS912L-040	Fixed Vise		1
41	GB/T6170	Nut M12	M12	1

## Parts List for HVBS-912L Metal Band Saw

Index No.	Part No.	Description	Size	Q'ty
42	HVBS912L-042	Workbench		1
43	HVBS912L-043	Rotor Shaft		1
44	HVBS912L-044	Adjustable Pad		1
45	GB/T96	Big Washer	12mm	1
46	GB/T889.1	Lock Nut	M12	1
47	HVBS912L-047	Back Shaft For Hydraulic Cylinder		1
48	HVBS912L-048	Cover For Cylinder		1
49	HVBS912L-049	Shaft		1
50	GB/T95	Flat Washer	8mm	1
51	GB/T5783	Hex. Cap Head Screw	M8x20	1
52	GB/T5783	Hex. Cap Head Screw	M6x12	1
53	HVBS912L-053	Shaft For Stopper		
54	HVBS912L-054	Block For Stopper		1
55	GB/T70.1	Hex Scket Head Cap Screw	M5x12	2
56	HVBS912L-056	Seat For Stop Switch		1
57	HVBS912L-057	Stop Switch		1
58	HVBS912L-058	Nut		1
59	HVBS912L-059	Lead Screw		1
60	GB/T5783	Hex. Cap Head Screw	M8x20	1
61	GB/T95	Flat Washer	8mm	1
62	HVBS912L-062	Hydraulic Cylinder		1
63	GB/T70.1	Hex Scket Head Cap Screw	M10x45	1
64	GB/T95	Flat Washer	10mm	2
65	GB/T6170	Hex Nut	M10	1
66	GB/T5783	Hex. Cap Head Screw	M8x30	3
67	GB/T95	Washer	8mm	3
68	HVBS912L-068	Fixed Seat For Hydraulic Cylinder		1
69	GB/T5783	Hex. Cap Head Screw	M8x20	1
70	HVBS912L-070	Pivot Arm		1
71	HVBS912L-071	Board		1
72	GB/T70.1	Hex Scket Head Cap Screw	M10x35	2
73	GB/T889.1	Lock Nut	M12	1
74	GB/T96	Big Washer	12mm	1
75	HVBS912L-075	Bottom Tray		1
76	GB/T6170	Hex Nut	M8	8
77	GB/T95	Flat Washer	8mm	16
78	GB/T5783	Hex. Cap Head Screw	M8x25	8
79	HVBS912L-079	Filter Sieve		1
80	GB/T5783	Hex. Cap Head Screw	M10x20	2
81	GB/T95	Flat Washer	10mm	2
82	HVBS912L-082	Board For Foot Wheel		2

## Parts List for HVBS-912L Metal Band Saw

Index No.	Part No.	Description	Size	Qty
83	HVBS912L-083	Shaft For Foot Wheel		2
84	GB/T91	Cotter Pin		2
85	HVBS912L-085	Foot Wheel $\Phi 125 \times \Phi 12$		2
86	GB/T5783	Hex. Cap Head Screw	M8x20	6
87	GB/T95	Flat Washer	8mm	12
88	GB/T6170	Hex Nut	M8	6
91	GB/T1096	Key 6X20	6x20	1
92	HVBS912L-092	Pad		1
93	GB/T5783	Hex. Cap Head Screw	M10x25	1
94	HVBS912L-098	Blade 2655X27X0.9		1
95	GB/T6170	Hex Nut	M8	4
96	GB/T95	Flat Washer 8	8mm	8
97	GB/T5783	Hex. Cap Head Screw	M8x35	4
98	HVBS912L-098	Handle		1
99	HVBS912L-099	Coolant Tank		1
100	HVBS912L-100M (M2)	Cooling Motor (M2) ~230V 50Hz 45W		1
	HVBS912L-100T (M2)	Cooling Motor (M2) 3~400V 50Hz 45W		1
101	GB/T95	Flat Washer	6mm	4
102	GB/T70.1	Hex Scket Head Cap Screw	M6x12	4
103	HVBS912L-103	Pump Coupler		1
104	HVBS912L-104	Exit Pipe		1
105	HVBS912L-105	Leaking Pipe		1
106	HVBS912L-106	Electric Box		1
107	GB/T5783	Hex. Cap Head Screw	M10x45	2
108	GB/T95	Flat Washer	10mm	2
109	GB/T5783	Hex. Cap Head Screw	M8x20	4
110	GB/T95	Flat Washer	8mm	4
111	HVBS912L-111	Board		2
112	HVBS912L-112	Sliding Seat		1
113	HVBS912L-113	Spring		1
114	HVBS912L-114	Block		1
115	GB/T119.1	Round Pin	5x25	1
116	HVBS912L-116	Shaft		1
117	GB/T4141.5	Turning Handle M8X63	M8x63	3
118	HVBS912L-118	Seat For Handle		1
119	HVBS912L-119	Screw		1
120	GB/T95	Flat Washer	10mm	1
121	HVBS912L-121	Shaft		2
122	GB/T6170	Hex Nut	M10	4
123	GB/T95	Flat Washer	10mm	4
124	HVBS912L-124	Rear Support		1

## Parts List for HVBS-912L Metal Band Saw

Index No.	Part No.	Description	Size	Qty
125	HVBS912L-125	Clamp Splice		4
126	GB/T95	Flat Washer	6mm	4
127	GB/T70.1	Hex Scket Head Cap Screw	M6x20	4
128	HVBS912L-128	Eccentric Shaft		2
129	GB/T276	Bearing 608-2Z	608-2Z	14
130	GB/T894.1	External Retaing Ring 8		4
131	HVBS912L-131	Shaft		2
132	GB/T818	Pan Head Machine Screw	M5x8	2
133	HVBS912L-133	Guard Board		1
134	HVBS912L-134	Rear Sliding Seat		1
135	HVBS912L-135	Pad		2
136	HVBS912L-136	Stellate Handle M10X35	M10x35	1
137	GB/T276	Bearing 6205-2Z	6205-2Z	2
138	GB/T893.1	Internal Retaining Ring 52	52	2
139	HVBS912L-139	Idle Wheel		1
140	HVBS912L-140	Pad		1
141	GB/T5783	Hex. Cap Head Screw	M8x20	1
142	GB/T95	Flat Washer	6mm	2
143	HVBS912L-143	Handle Screw M6X12	M6x12	2
144	HVBS912L-144	Blade Guard		1
145	HVBS912L-145	Fixed Board		2
146	GB/T95	Flat Washer	6mm	4
147	GB/T70.1	Hex Scket Head Cap Screw	M6x12	4
148	HVBS912L-148	Steering Wheel		1
149	HVBS912L-149	Spacer Bush		1
150	HVBS912L-150	Brush		1
151	GB/T818	Pan Head Machine Screw	M5x8	2
152	GB/T95	Flat Washer	5mm	2
153	HVBS912L-153	Front Sliding Seat		1
154	GB/T5783	Hex. Cap Head Screw	M10x35	1
155	HVBS912L-155	Nozzle Support		2
156	HVBS912L-156	Coolant Switch Valve		2
157	GB/T5783	Hex. Cap Head Screw	M8x30	4
158	GB/T95	Flat Washer	8mm	4
159	HVBS912L-159	Saw Bow		1
160	GB/T70.1	Hex Scket Head Cap Screw	M6x12	1
161	HVBS912L-161	Touching Plate Of Limit Switch		1
162	HVBS912L-162	Quadrate Handle A120		1
163	GB/T70.1	Hex Scket Head Cap Screw	M8x16	2
164	HVBS912L-164	Shield Leather		1
165	GB/T96	Big Washer	6mm	2

## Parts List for HVBS-912L Metal Band Saw

Index No.	Part No.	Description	Size	Qty
166	GB/T818	Pan Head Machine Screw	M6x12	2
167	HVBS912L-167	Coupler		3
168	GB/T70.1	Hex Scket Head Cap Screw	M6x30	2
169	HVBS912L-169	Joint Block		1
170	GB/T5783	Hex. Cap Head Screw	M8x30	2
171	GB/T95	Flat Washer	8mm	2
172	GB/T5783	Hex. Cap Head Screw	M8x25	4
173	GB/T77	Socket Set Screw	M8x25	1
174	HVBS912L-174	Copper Tube	Φ6	2
175	HVBS912L-175	Seating Board For Motor		1
176	GB/T6170	Hex Nut	M8	2
177	GB/T5783	Hex. Cap Head Screw	M8x40	2
178	HVBS912L-178M (M1)	Main Motor (M1) ~230V 50Hz 1.1kW		1
	HVBS912L-178T (M1)	Main Motor (M1) 3~400V 50Hz 1.1kW		1
179	GB/T6170	Hex Nut	M8	4
180	GB/T95	Flat Washer	8mm	8
181	GB/T78	Socket Set Screw	M8x16	1
182	GB/T77	Socket Set Screw	M8x10	1
183	HVBS912L-183	Belt Cover		1
184	HVBS912L-184	Motor Pulley		1
185	GB/T5783	Hex. Cap Head Screw	M8x20	4
186	GB/T95	Flat Washer	8mm	4
187	HVBS912L-187	Bottom Board		1
188	HVBS912L-188	V- Belt		1
189	HVBS912L-189	Handle Screw M6X12		1
190	HVBS912L-190	Gear Box		1
191	GB/T894.1	External Retaing Ring 25	25	1
192	GB/T276	Bearing 6005	6005	3
193	GB/T893.1	Internal Retaining Ring 47	47	2
194	HVBS912L-194	Seal Ring Φ47XΦ25X7		1
195	HVBS912L-195	Adjustable Pad		1
196	HVBS912L-196	Output Shaft		1
197	GB/T1096	Key 6X20	6x20	1
198	HVBS912L-198	Worm Wheel		1
199	GB/T894.1	External Retaing Ring 25	25	1
200	HVBS912L-200	Sealing Gasket		1
201	HVBS912L-201	Cover For Gear Box		1
202	GB/T70.1	Hex Scket Head Cap Screw	M6x20	4
203	HVBS912L-203	Breathable Bolt		1
204	GB/T77	Socket Set Screw	M6x10	2
205	HVBS912L-205	Belt Pulley		1



## Parts List for HVBS-912L Metal Band Saw

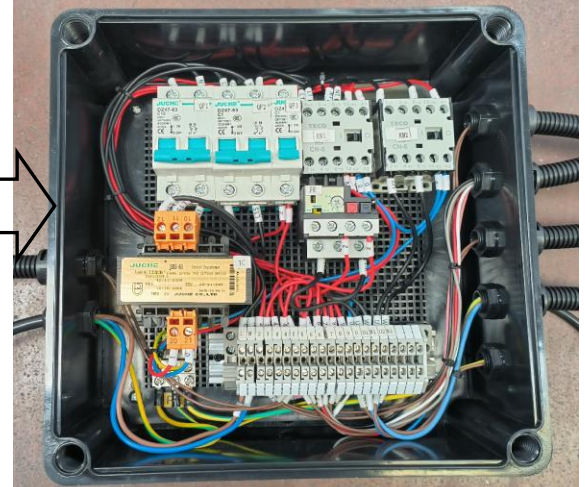
Index No.	Part No.	Description	Size	Qty
206	GB/T894.1	External Retaining Ring	17	1
207	GB/T819	Pan Head Machine Screw	M4x12	3
208	HVBS912L-208	End Cover		1
209	GB/T276	Bearing 6003	6003-2Z	3
210	HVBS912L-210	Spacer Bush		1
211	HVBS912L-211	Seal Ring $\Phi 35 \times \Phi 17 \times 7$	$\phi 35 \times \phi 17 \times 7$	1
212	HVBS912L-212	Worm		1
213	GB/T1096	Key 5x45	5x45	1
214	HVBS912L-214M	Power Cord	230V	1
	HVBS912L-214T	Five-Pin Plug P551 & Power Cord 4G1.5mm <sup>2</sup>		1
	HVBS912L-ID	JETRUS ID Label (Not shown)		1
	HVBS912L -ML	JETRUS Motor Label (Not shown)		1
	JETRUS-LOGO	JETRUS -165L (Not shown)	165x42mm	1
	HVBS712L -WR	Warning Label (Not shown)		1



# Parts list of HVBS-912L Metal Band Saw Electrical Circuit

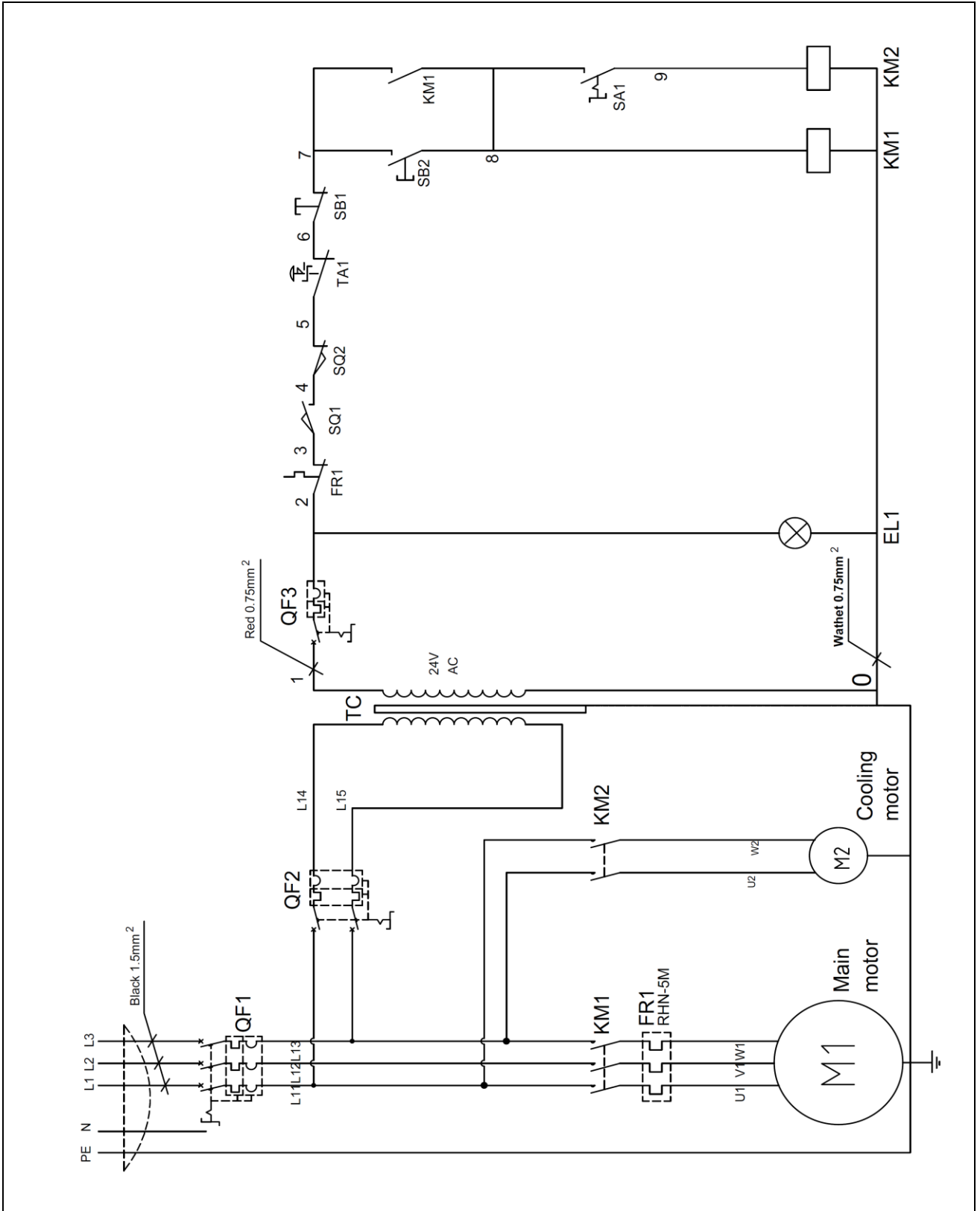
JRM80912M..... ~ 230V, 50Hz

Index No.	Code	Description	Type / Spec.	Q/ty	Remark
1	KM1	AC contractor CN-6	3A1a AC24V 9A	1	JUCHE
2	KM2	AC contractor CN-6	3A1a AC24V 9A	1	JUCHE
3	FR	Thermorelay	7.2-10A	1	JUCHE
4	QF1	Breaker DZ47-63	2P10A	1	TECO
5	QF2	Breaker DZ47-63	2P1A	1	JUCHE
6	QF3	Breaker DZ47-63	1P1A	1	JUCHE
7	TC	Transformer	230/24V 50/60Hz 60VA	1	
8	SQ1	Micro switch KW-7-9	3A	1	
9	SQ2	Limited switch	8A	1	
10	TA1	Emergency stop	3A	1	
11	SB1	Stop button	3A	1	
12	SB2	Start button	3A	1	
13	SA1	Pump switch	3A	1	
14	EL1	Power light	AC24V	1	
15	HVBS912L-178M1	Main Motor (M1)	~230V 50Hz 1.1kW	1	
16	HVBS912L-100M2	Cooling Motor (M2)	~230V 50Hz 45W	1	
17	HVBS712L-214MB	Power Cord	3G1.5mm <sup>2</sup> 2.5m	1	



# Wiring Diagram for HVBS-912L Metal Band Saw

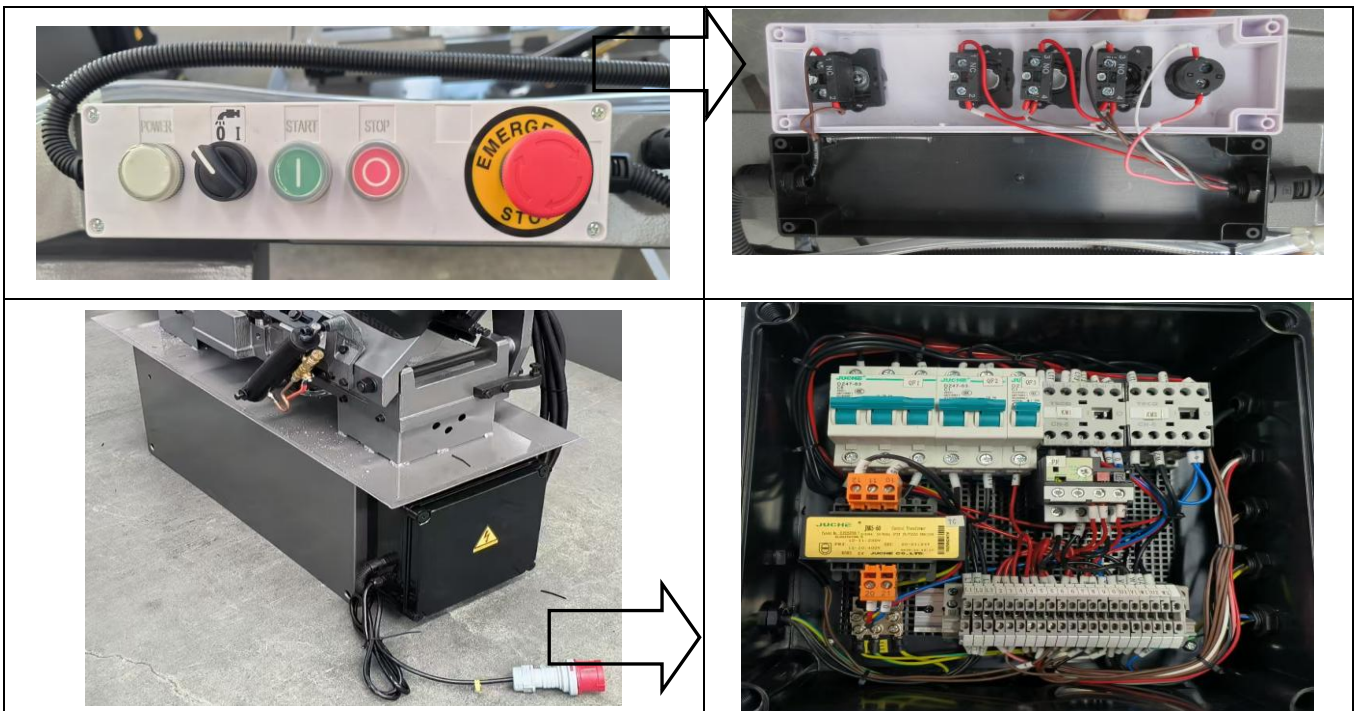
JRM80912T..... 3 ~ 400V, 50Hz



# Parts list of HVBS-912L Metal Band Saw Electrical Circuit

JRM80912T..... 3 ~ 400V, 50Hz

Index No.	Code	Description	Type / Spec.	Q/ty	Remark
1	QF1	Breaker	DZ47-63 / 3P6A	1	JUCHE
2	QF2	Breaker	DZ47-63 / 2P1A	1	JUCHE
3	QF3	Breaker	DZ47-63 / 1P1A	1	JUCHE
4	KM1/KM2	Ac Contractor	CN-6 / 3A1a AC24V 9A	2	TECO
5	FR1	Thermorelay	RHU-5M / 1.8-2.5A	1	JUCHE
6	TC	Transformer	JBK5-60 / 400 230/24V	1	JUCHE
7	SQ1	Micro Switch	KW-7-9 / 3A	1	
8	SQ2	Limited Switch	QKS7 / 8A	1	
9	TA1	Emergency Stop	XB2-BS542 / 3A	1	
10	SB1	Stop Button	XB2-EA42 / 3A	1	
11	SB2	Start Button	XB2-EA21 / 3A	1	
12	SA1	Pump Switch	XB2-ED21 / 3A	1	
13	EL1	Power Light	XB2-BVB1C / AC24V	1	
14		Five-Hole Button	DX5	1	
15	HVBS912L-178TM1	Main Motor (M1)	3~400V 50Hz 1.1kW	1	
16	HVBS912L-100TM2	Cooling Motor	3~400V 50Hz 45W	1	
15	HVBS712L-144	Five-Pin Plug	P551 400V	1	KEDU
16	HVBS712L-144	Power Cord	4G1.5mm <sup>2</sup> 2.5m	1	



**Note:** This manual is only for your reference. Owing to the continuous improvement of the machine, changes may be made at any time without obligation on notice. And please note the local voltage while operating this electric machine.